

APPLICATION HIGHLIGHT

INTRALOX AIM™ SORTER

AIM (Active Integrated Motion™) technology revolutionizes tray pack handling by enabling automation in washdown environments. Competing technologies or labor cannot provide the comprehensive benefits of maximum throughput, line flexibility, and gentle product handling that AIM delivers.

The **AIM Sorter Series 800** allows processors to increase throughput by eliminating product damage, corrective labor, maintenance, and production downtime involved in tray pack sorting applications.

REVOLUTIONARY BENEFITS

- Gentle sortation maintains tray integrity and product styling, reducing labor needed to re-work trays
- Enables line speeds of up to 200 fpm* (60 m/min) with gaps as small as 3 in (76.2 mm)
- Optimizes process flexibility by enabling small-footprint sorting at high speeds that maintain package orientation
- Hygienic design with IP69K components eliminates equipment over the conveyor that obstructs sanitation; reduces risk of cross-contamination by eliminating need for non-value added labor



Trouble viewing the video? [Click here.](#)

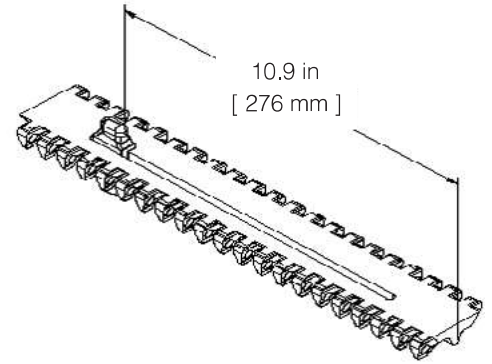
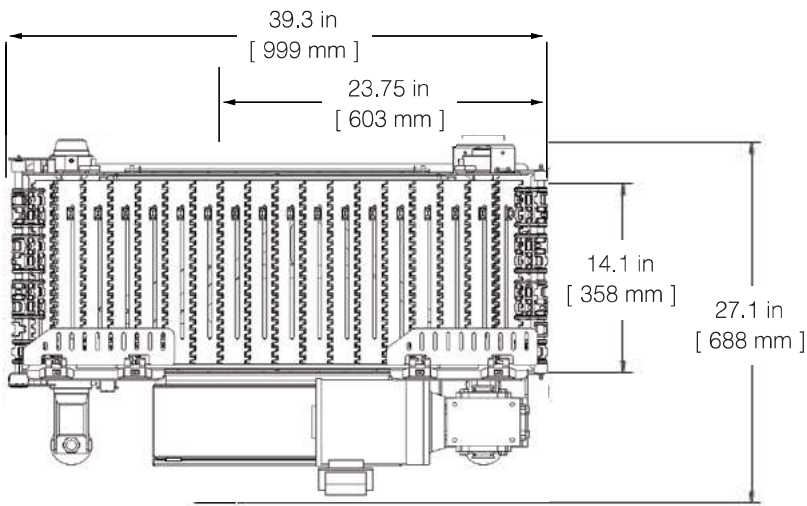
THE IDEAL SORTING SOLUTION

- Checkweigher over/under weigh divert
- Re-work line diverter
- Small footprint 90-degree transfer
- Pusher/Paddle arm replacement
- Direct trays to different sealers based on throughput, product type, or sealer availability

*Higher speeds under approval

Equipment Capabilities

Sorter	90-degree sorter for tray pack products. Maintains orientation when short-side leading and a takeaway conveyor is implemented, with belt speeds up to 200 ft (60 m) per minute (higher speeds under approval). Left- or right-hand divert available.
Requirements	Preprogrammed to accept 24V signal to divert package, or every other pack.
Environment	Performs in washdown environments (wet, cold, greasy, soapy). Flat package bottom is not required.
Product Details	Package Maximum Load: 10 lb (4.5 kg) Minimum Tray Size: 2 in wide x 6 in long (51 mm x 150 mm) Maximum Tray Size: 10 in wide x 14 in long (254 mm x 355 mm)
Minimum Product Gapping	Varies based on tray size – avg. 4.5 in (114 mm)



Contact us at aim@intralox.com or visit go.intralox.com/AIM to learn how AIM technology can revolutionize your system.