

APPLICATION HIGHLIGHT

INTRALOX AIM™ SWITCH

AIM (Active Integrated Motion™) technology revolutionizes tray pack handling by enabling automation in washdown environments. Competing technologies or labor cannot provide the comprehensive benefits of maximum throughput, line flexibility, and gentle product handling that AIM delivers.

The **AIM Switch Series 800** allows processors to increase throughput by eliminating product damage, corrective labor, maintenance, and production downtime involved in tray pack switching applications.

REVOLUTIONARY BENEFITS

- Gentle sortation maintains tray integrity and product styling, reducing labor needed to re-work trays
- Enables line speeds of up to 200 fpm* (60 m/min) with gaps as small as 3 in (76.2 mm)
- Optimizes process flexibility by enabling high-speed line balancing without package damage
- Hygienic design with IP69K components eliminates equipment over the conveyor that obstructs sanitation; does not require lubrication

THE IDEAL SWITCHING SOLUTION

- Checkweigher over/under weigh divert
- Dual-lane tray sealer infeed
- Slat switch replacement
- Pusher/Paddle arm replacement

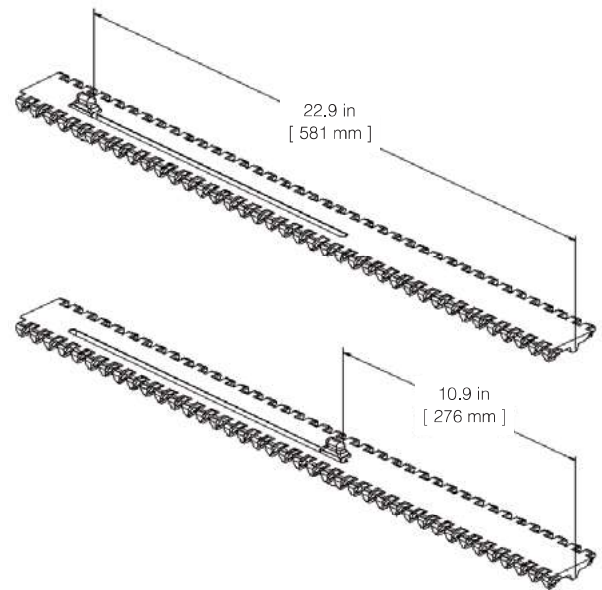
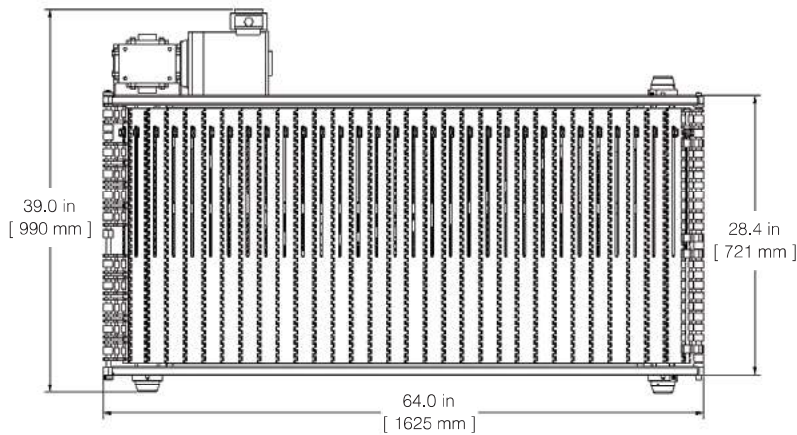
*Higher speeds under approval



Trouble viewing the video? [Click here.](#)

Equipment Capabilities

Switch	1:2 switch for tray pack products, short-side leading, with belt speeds up to 200 ft (60 m) per minute (higher speeds under approval).
Requirements	Preprogrammed to accept 24V signal to divert package, or every other pack.
Environment	Performs in washdown environments (wet, cold, greasy, soapy). Flat package bottom is not required.
Product Details	Package Maximum Load: 10 lb (4.5 kg) Minimum Tray Size: 2 in wide x 6 in long (51 mm x 150 mm) Maximum Tray Size: 10 in wide x 14.75 in long (254 mm x 374 mm)
Minimum Product Gapping	Varies based on tray size – avg. 4.5 in (114 mm).



Contact us at aim@intralox.com or visit go.intralox.com/AIM to learn how AIM technology can revolutionize your system.